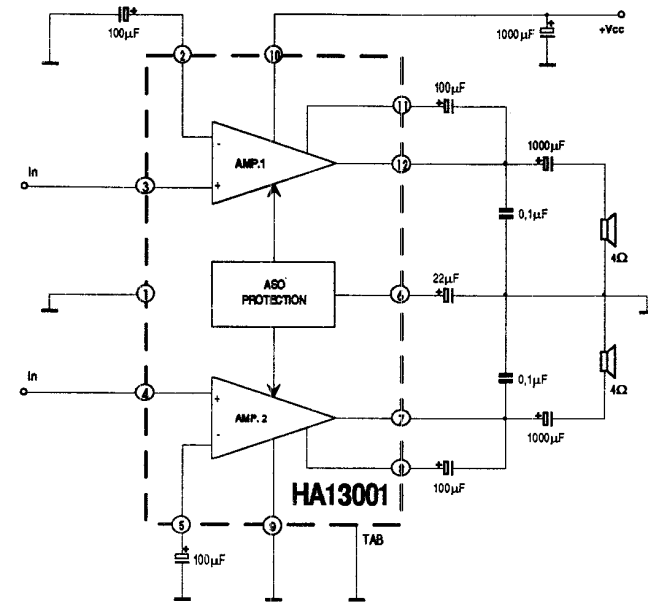
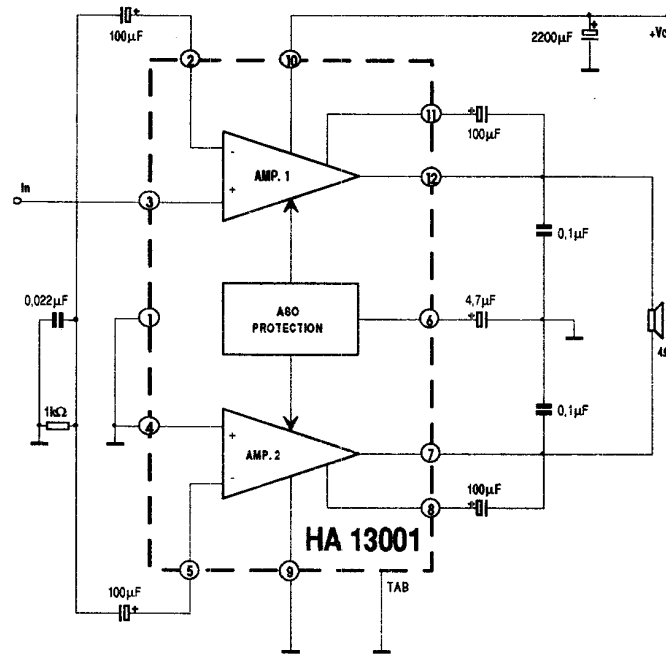


## 2\*Power Amplifier 5,5W

$V_{CCmax}$	18V	$V_{CCtyp}$	13.2V	$I_{max}$	4.5 A
$I_{CCmax}$	160 mA	$I_{CCtyp}$	80 mA	$P_O$	2*5,5W
$R_L$	4 $\Omega$	THD	10%	Gain	50 dB
Noise	2 $\mu$ V	$R_{IN}$	200 k $\Omega$	Case	SIP 12
$R_{thj-c}$	3 $^{\circ}$ /W				
Remarks	BTL 17,5W				



HA13001